

# HYVA CYLINDER



715 35 300

Front end cylinder with eye

type

FE 149-4-04620-009A-K1484

tipping weight

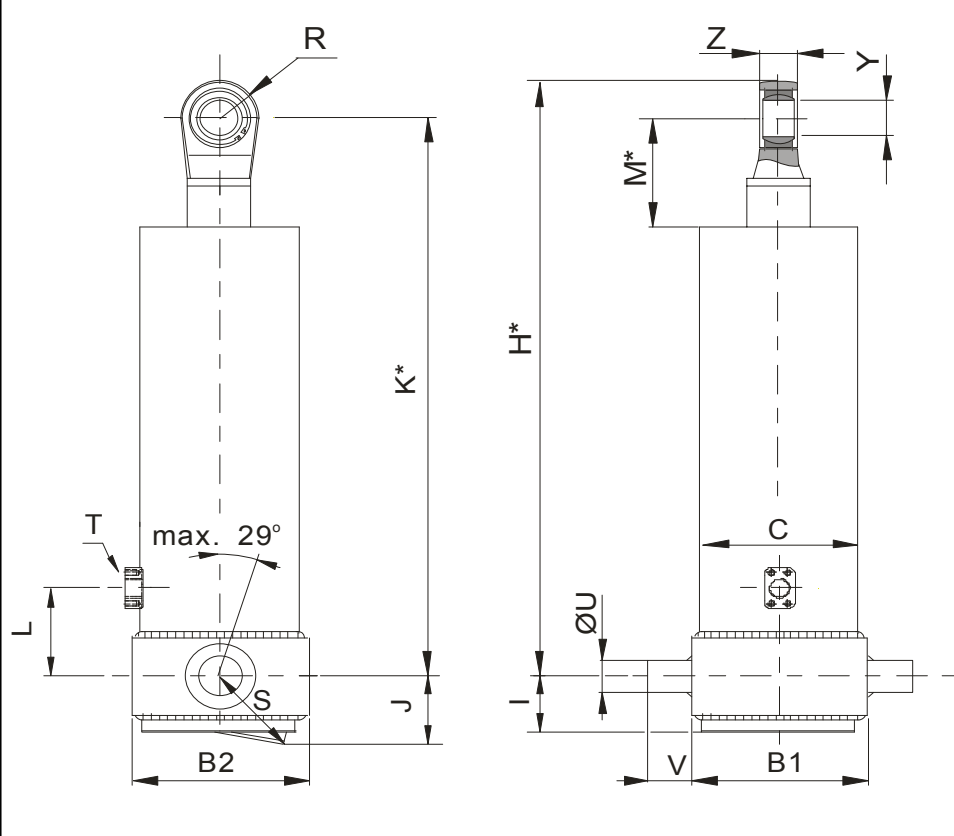
35-70 ton

page # 1 / 2

closed length (K)

1479-1514 mm

front & side view cylinder



	1	2	
A			mm
B	201	201	mm
C	169		mm
D			mm
E			mm
F			mm
G*			mm
H*	1537		mm
I	60		mm
J	96		mm
K*	1484		mm
L	190		mm
M*	135		mm
N			mm
O			mm
P			mm
Q			mm
R	53		mm
S	114		mm
T	1" SAE		
U	60		mm
V	65		mm
W			mm
X			mm
Y	50		mm
Z	42		mm

\*incl.20[-5;30] pull out on piston

## specifications

weight cylinder only	170 kg
total volume	59 L
working volume	54 L
maximum pressure	190 bar
maximum pump flow	137 L/min
maximum cylinder angle to front	30 °
maximum thrust first stage**	30 ton

\*\*when cyl. mounted at a large angle, thrust first stage may become too high: see Hyva Tipper Program

## technical notes

This cylinder is a lifting device only and may not be used as structural member or be subject to side load. Working pressure depends on application; never exceed maximum pressure stated. Cylinder is painted black (RAL9005). Max duration of extension 0.5 hours (excluded HC). See specification sheet CYL-0019 for mounting instructions, OIL-0011 for oil specifications and 015BRA01 for bracket specifications.

extension	1	2	3	4	5	6	7	8	9	
effective diameter [mm]	149	129	110	91						total
stroke [mm]	1140	1160	1160	1160						4620

## tipping weight

tipping weight at maximum pressure of 190 bar and C is 158 mm

	BL	6100			5950			5800		
BL (body length); OH (rear overhang); X=Ycog (vert. pos. centre of gravity); Qo (pivot length); C (bracket length);	BL	200	500	800	200	500	800	200	500	800
At = stroke x 60 / Qo	At	46	48	51	47	50	53	48	51	55
	Ycog									
	600	35	39	44	35	40	46	36	41	48
	900	38	43	51	39	45	53	40	46	57
	1200	42	48	60	43	51	64	45	54	70

# HYVA CYLINDER

715 35 300

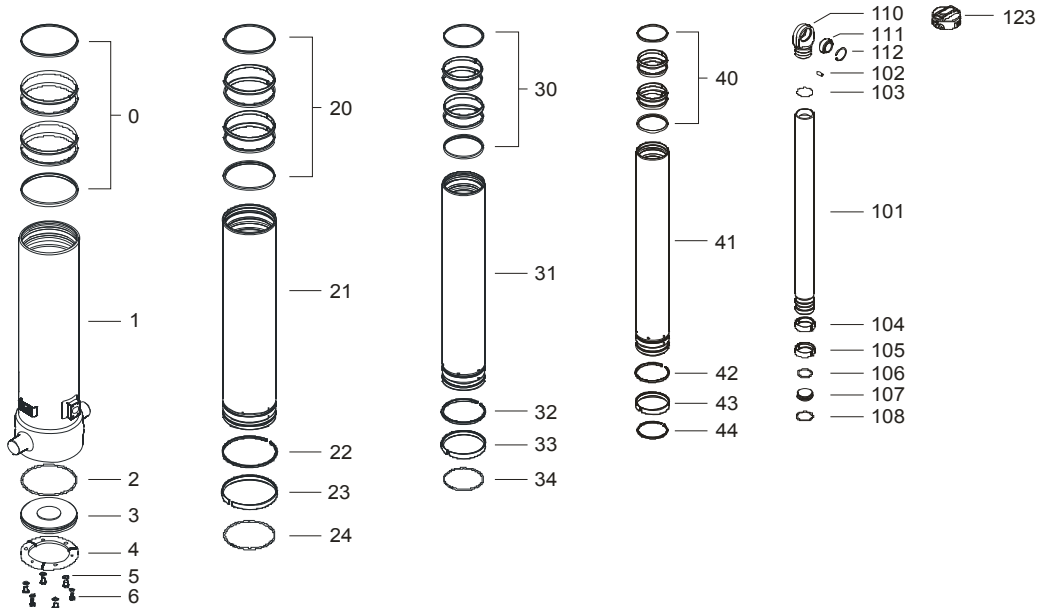


Front end cylinder with eye

type

FE 149-4-04620-009A-K1484

page # 2 / 2



## Spare part list

Pos Part no. Description Qty.

0	71802169 K	PACKSET FL 169	01
1	72506370	BASE 169-1399-4/4SAE-190	01
2	71870035 K	SEAL BOTTOM PLATE 169	01
3	71821169	BOTTOM PLATE 169	01
4	71820169	LOCKING PLATE 169	03
5	01732559 K	SPRING WASHER M8 SET	01
6	01732055 K	BOLT M8 X 1.25 X 20 SET	01

20	71802149 K	PACKSET FL 149/HP 150	01
21	72605370	STAGE 149-1360	01
22	71811149 K	OUTER STOPRING FL 149	01
23	71807149 K	SLIDER FL 149	01
24	71812149 K	LIFTRING FL 149/HP 150	01

30	71802129 K	PACKSET FL 129/HP 129	01
31	72604370	STAGE 129-1360	01
32	71811129 K	OUTER STOPRING FL 129/HP 129 HD	01
33	71807129 K	SLIDER FL 129/GF 129 (2 X 1/2)	01
34	71812129 K	LIFTRING FL 129/HP 129	01

## Spare part list

Pos Part no. Description Qty.

40	71802110 K	PACKSET FL 110	01
41	72603370	STAGE 110-1360	01
42	71811110 K	OUTER STOPRING FL 110/HP 110 HD	01
43	71807110 K	SLIDER FL 110/GF 110 (2 X 1/2)	01
44	71812110 K	LIFTRING FL 110	01

101	72402401	PISTON S 091-1400-HC	01
102	71875012	PIN ROUND HEAD GROOVED 8x15 mm	02
103	71870115 K	O-RING PISTON TOP 091	01
104	71811091 K	OUTER STOPRING FL 091/HP 091 HD	01
105	71807091 K	SLIDER FL 091 (2 X 1/2)	01
106	71870215	O-RING PISTON BOTTOM 091	01
107	71822091	BOTTOM PLATE PISTON 091	01
108	01745012	CIRCLIP 82 DIN 472 (87.5x2.5)	01
110	71835091	PISTON EYE SPH. 091 MACHINED+SPH.EY	01
111	71875450	SPHERICAL EYE D.50 MAINT. FREE	01
112	01770560	CIRCLIP GE 50 DO	01
123	71838955	DUST COVER FE 149 YELLOW	01

## Seal kit complete:

Part no. Description

71901540 K	Seal kit complete: consists of all packsets with packset grease, O-rings and Pin (pos.102)
------------	--

## Notes:

The inner and outer stoprings are pre-mounted in the grooves on spare stages and pistons. Therefore, when ordering new tubes, it is not required to order stopring separately.