

# HYVA CYLINDER



71506450

Front end cylinder with outer cover

type

FC 169-5-05780-000A-K0343

tipping weight

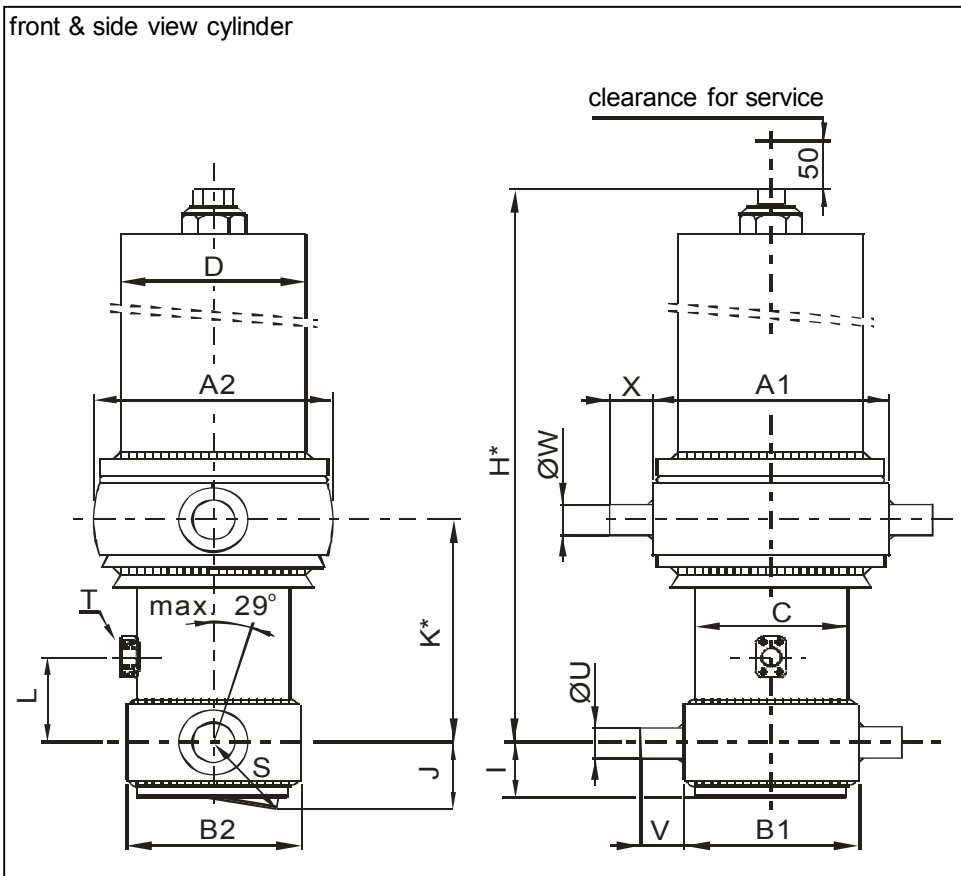
35-66 ton

page # 1 / 2

closed length (K)

338-373 mm

front & side view cylinder



	1	2	
A	340	329	mm
B	245	224	mm
C	191		mm
D	242		mm
E			mm
F			mm
G*			mm
H*	1479		mm
I	65		mm
J	106		mm
K*	343		mm
L	190		mm
M*			mm
N			mm
O			mm
P			mm
Q			mm
R			mm
S	127		mm
T	1" SAE		
U	60		mm
V	65		mm
W	60		mm
X	65		mm
Y			mm
Z			mm

\*incl.20 [-5;+30] mm pull out on piston

## specifications

weight cylinder only	300 kg
total volume	87 L
working volume	80 L
maximum pressure	190 bar
maximum pump flow	137 L/min
maximum cylinder angle to front	10 °
maximum thrust first stage**	35 ton

\*\*when cyl. mounted at a large angle, thrust first stage may become too high: see Hyva Tipper Program

## technical notes

This cylinder is a lifting device only and may not be used as structural member or be subject to side load. Working pressure depends on application; never exceed maximum pressure stated. Cylinder is painted black (RAL9005). Max duration of extension 0.5 hours (excluded HC). See specification sheet CYL-0019 for mounting instructions, OIL-0011 for oil specifications and 015BRA01 for bracket specifications.

extension	1	2	3	4	5	6	7	8	9	
effective diameter [mm]	169	149	129	110	91					total
stroke [mm]	1140	1160	1160	1160	1160					5780

## tipping weight

tipping weight at maximum pressure of 190 bar and C is 229 mm

	6900			7300			7700		
	200	500	800	200	500	800	200	500	800
BL (body length); OH (rear overhang); X=Ycog (vert. pos. centre of gravity); Qo (pivot length); C (bracket length);	6900			7300			7700		
At = stroke x 60 / Qo	50	52	55	47	49	51	44	46	48
Ycog	38	42	48	36	40	44	35	38	41
600	42	47	56	39	44	50	37	41	46
900	46	54	66	43	48	57	40	44	51
1200									

# HYVA CYLINDER

71506450

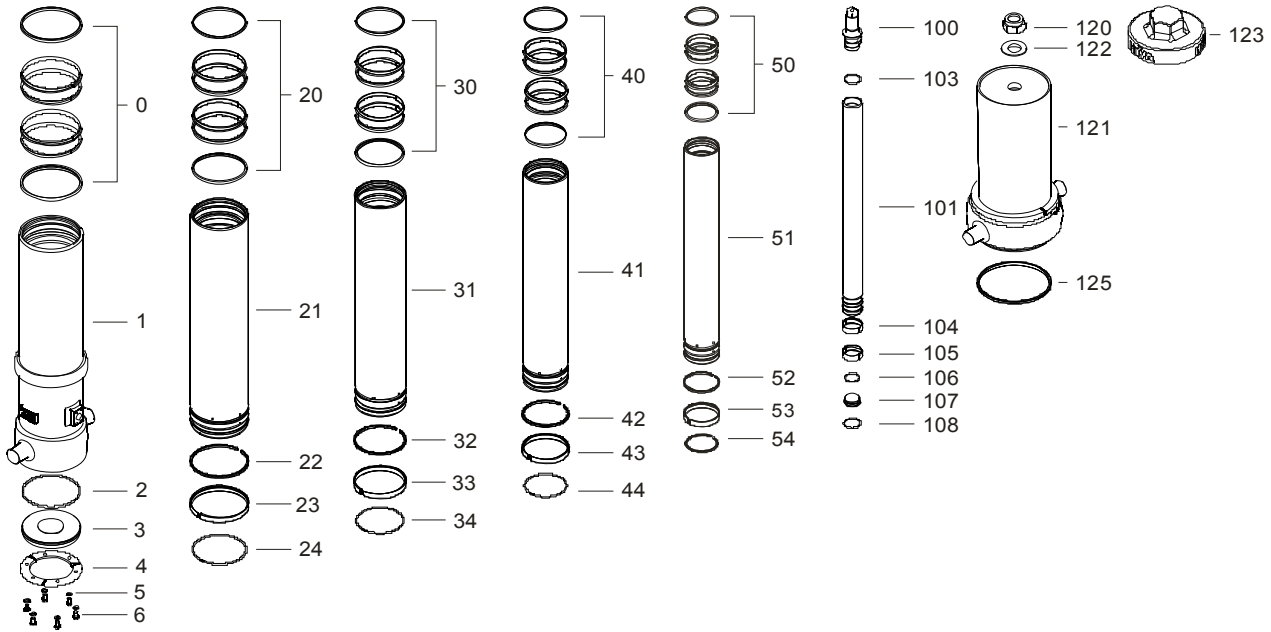


Front end cylinder with outer cover

type

FC 169-5-05780-000A-K0343

page # 2 / 2



### Spare part list

Pos	Part no.	Description	Qty.
0	71802191 K	PACKSET FL 191	01
1	72507370R1055	BASE 191-1399-4/4SAE-190-C242	01
2	71870040 K	SEAL BOTTOM PLATE 191	01
3	71821191	BOTTOM PLATE 191	01
4	71820191	LOCKING PLATE 191	03
5	01732559 K	SPRING WASHER M8 SET	01
6	01732055 K	BOLT M8 X 1.25 X 20 SET	01

20	71802169 K	PACKSET FL 169	01
21	72606370	STAGE 169-1360	01
22	71811169 K	OUTER STOPRING FL 169	01
23	71807169 K	SLIDER FL 169	01
24	71813169 K	LIFTRING FL 169x5	01

30	71802149 K	PACKSET FL 149/HP 150	01
31	72605370	STAGE 149-1360	01
32	71811149 K	OUTER STOPRING FL 149	01
33	71807149 K	SLIDER FL 149	01
34	71812149 K	LIFTRING FL 149/HP 150	01

40	71802129 K	PACKSET FL 129/HP 129	01
41	72604370	STAGE 129-1360	01
42	71811129 K	OUTER STOPRING FL 129/HP 129 HD	01
43	71807129 K	SLIDER FL 129/GF 129 (2 X 1/2)	01
44	71812129 K	LIFTRING FL 129/HP 129	01

### Seal kit complete:

Part no.	Description
71901650 K	Seal kit complete: consists of all packsets with packset grease and O-rings

### Spare part list

Pos	Part no.	Description	Qty.
50	71802110 K	PACKSET FL 110	01
51	72603370	STAGE 110-1360	01
52	71811110 K	OUTER STOPRING FL 110/HP 110 HD	01
53	71807110 K	SLIDER FL 110/GF 110 (2 X 1/2)	01
54	71812110 K	LIFTRING FL 110	01

100	71831091	PISTON HEAD 091 MACHINED	01
101	72402371	PISTON S 091-1365-HC	01
103	71870115 K	O-RING PISTON TOP 091	01
104	71811091 K	OUTER STOPRING FL 091/HP 091 HD	01
105	71807091 K	SLIDER FL 091 (2 X 1/2)	01
106	71870215	O-RING PISTON BOTTOM 091	01
107	71822091	BOTTOM PLATE PISTON 091	01
108	01745012	CIRCLIP 82 DIN 472 (87.5x2.5)	01

120	01702907	TOPNUT NYLOC M48x3 DIN 985 ZP	01
121	71706414	COVER 242-1155 PIN60	01
122	01702956	WASHER M48 DIN 125B ZP	01
123	01702972	DUST COVER FOR COVER 242 YELLOW	01
125	01791941	O-RING COVER D242	01

### Notes:

The inner and outer stoprings are pre-mounted in the grooves on spare stages and pistons. Therefore, when ordering new tubes, it is not required to order stopring separately.