

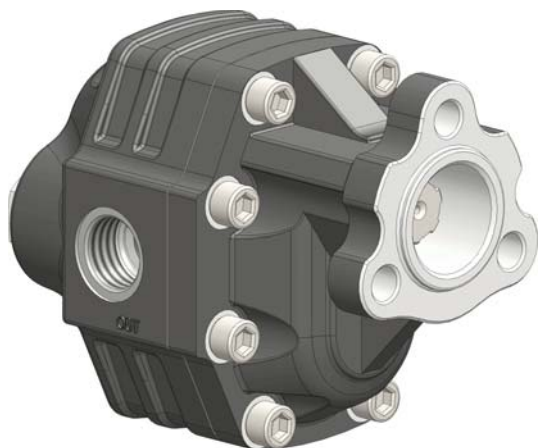
POMPE AD INGRANAGGI FISSAGGIO 3 FORI-UNI

3 HOLES-UNI HYDRAULIC GEAR PUMPS

CODICE FAMIGLIA
FAMILY CODE

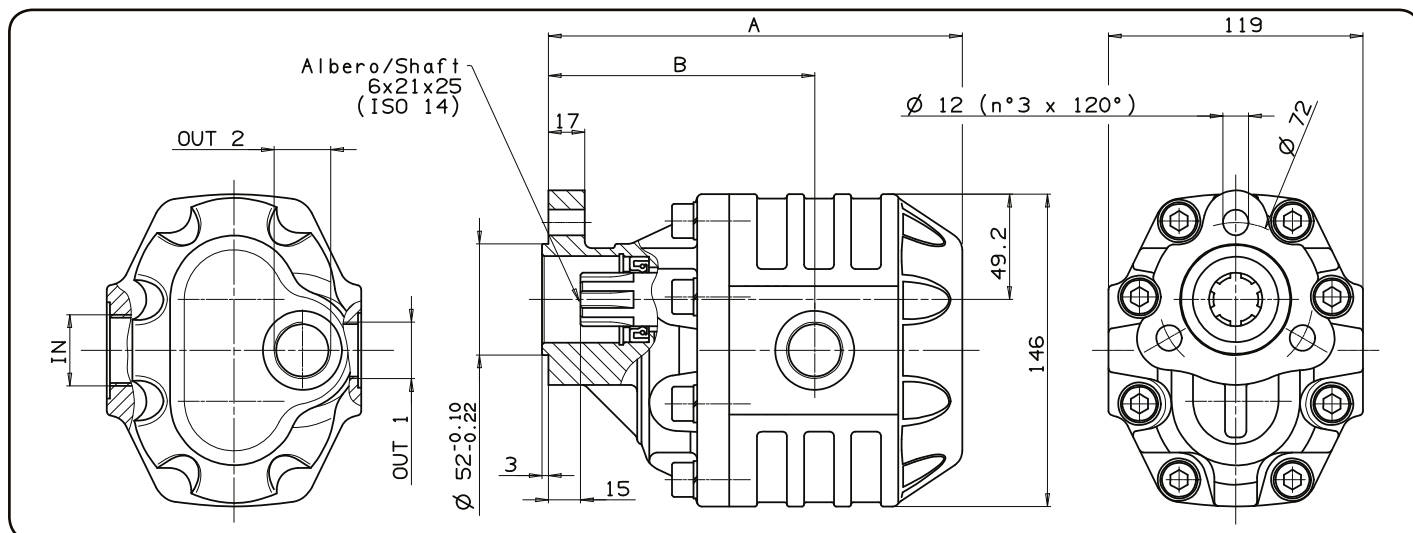
105-011

NPH UNI



Codice fascicolo: 997-400-10510

| | | | | | |
|---|--|--|----------|---------|------|
| Fluido idraulico Fluid | Minerale o sintetico compatibile con guarnizioni: Mineral or synthetic compatible with the following seals: NBR, FKM, FPM, Nylon | | | | |
| Viscosità cinematica consigliata Kinematic viscosity suggested | T media ambiente (°C) Average ambient temp. (°C) | < -10 | -10 ÷ 10 | 10 ÷ 35 | > 35 |
| | VG (cSt = mm ² /s) | 22 | 32 | 46 | 68 |
| Viscosità cinematica ottimale di esercizio Optimale kinematic viscosity | | VG = 10 cSt ÷ 100 cSt | | | |
| Viscosità cinematica max consentita all'avviamento Max kinematic viscosity suggested at the start-up | | VG = 750 cSt | | | |
| Indice di viscosità consigliato Viscosity index suggested | VI > 100 | Temperatura di esercizio Working temperature -15°C +100°C | | | |
| Grado di filtrazione Oil filtering | | > 200 bar: 10 μm < 200 bar: 25 μm | | | |
| Pressione di aspirazione Inlet pressure | | -0,3 ÷ 2 bar | | | |
| Senso di rotazione Pump rotation | | Unidirezionale (DX o SX) Unidirectional (Right or Left) | | | |



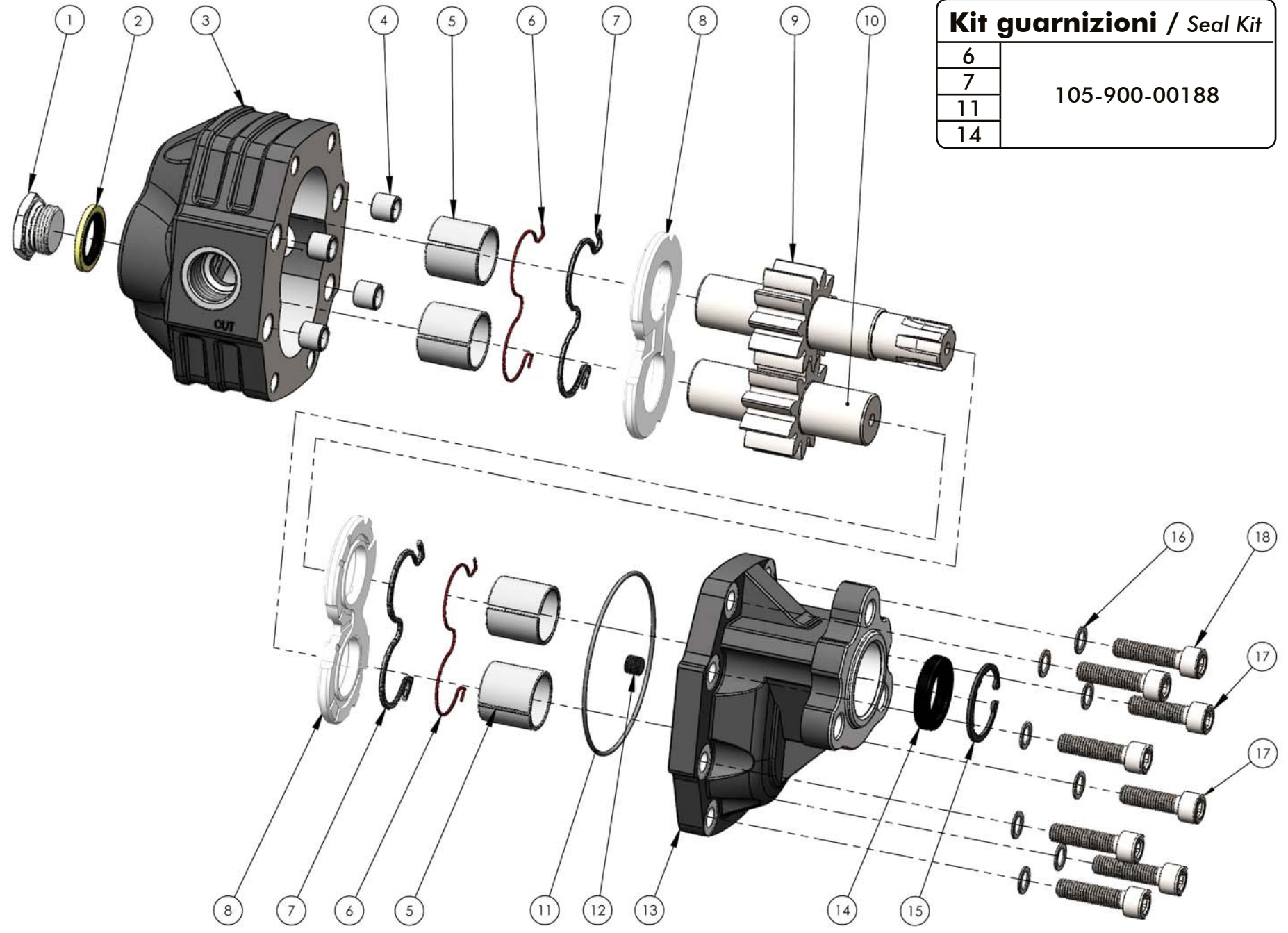
Data: Lunedì 13 giugno 2011

| Tipo pompa Pump type | Rotazione Rotation | | IN | OUT 1 | OUT 2 | A | B | Peso Weight |
|-------------------------|-----------------------|------------------|---------|-------|-------|-------|-------|----------------|
| | Destra Right | Sinistra Left | | | | | | |
| NPH-17 | 105-011-00175 | 105-011-00184 | G 1/2 | G 1/2 | G 1/2 | 152.5 | 103.5 | 8.5 |
| NPH-22 | 105-011-00228 | 105-011-00237 | | | | 156 | 105.5 | 9 |
| NPH-27 | 105-011-00273 | 105-011-00282 | G 3/4 | G 3/4 | G 3/4 | 158.5 | 108 | 9.5 |
| NPH-34 | 105-011-00344 | 105-011-00353 | | | | 163.5 | 109 | 10.5 |
| NPH-43 | 105-011-00433 | 105-011-00442 | G 1 | G 3/4 | G 3/4 | 169.5 | 114 | 11 |
| NPH-51 | 105-011-00513 | 105-011-00522 | | | | 174.5 | 114.5 | 11.5 |
| NPH-61 | 105-011-00611 | 105-011-00620 | G 1 | G 3/4 | G 3/4 | 180.5 | 120.5 | 12 |
| NPH-73 | 105-011-00737 | 105-011-00746 | | | | 188.5 | 119.5 | 12.5 |
| NPH-82 | 105-011-00826 | 105-011-00835 | G 1 1/4 | G 1 | G 3/4 | 193.5 | 124.5 | 13 |
| NPH-90 | 105-011-00906 | 105-011-00915 | | | | 204.5 | 132.5 | 13.5 |
| NPH-100 | 105-011-01003 | 105-011-01012 | G 1 1/4 | G 1 | G 3/4 | 210.5 | 138.5 | 14 |
| NPH-125 | 105-011-01254 | 105-011-01263 | | | | 226.5 | 142.5 | 16 |

Rev: AE

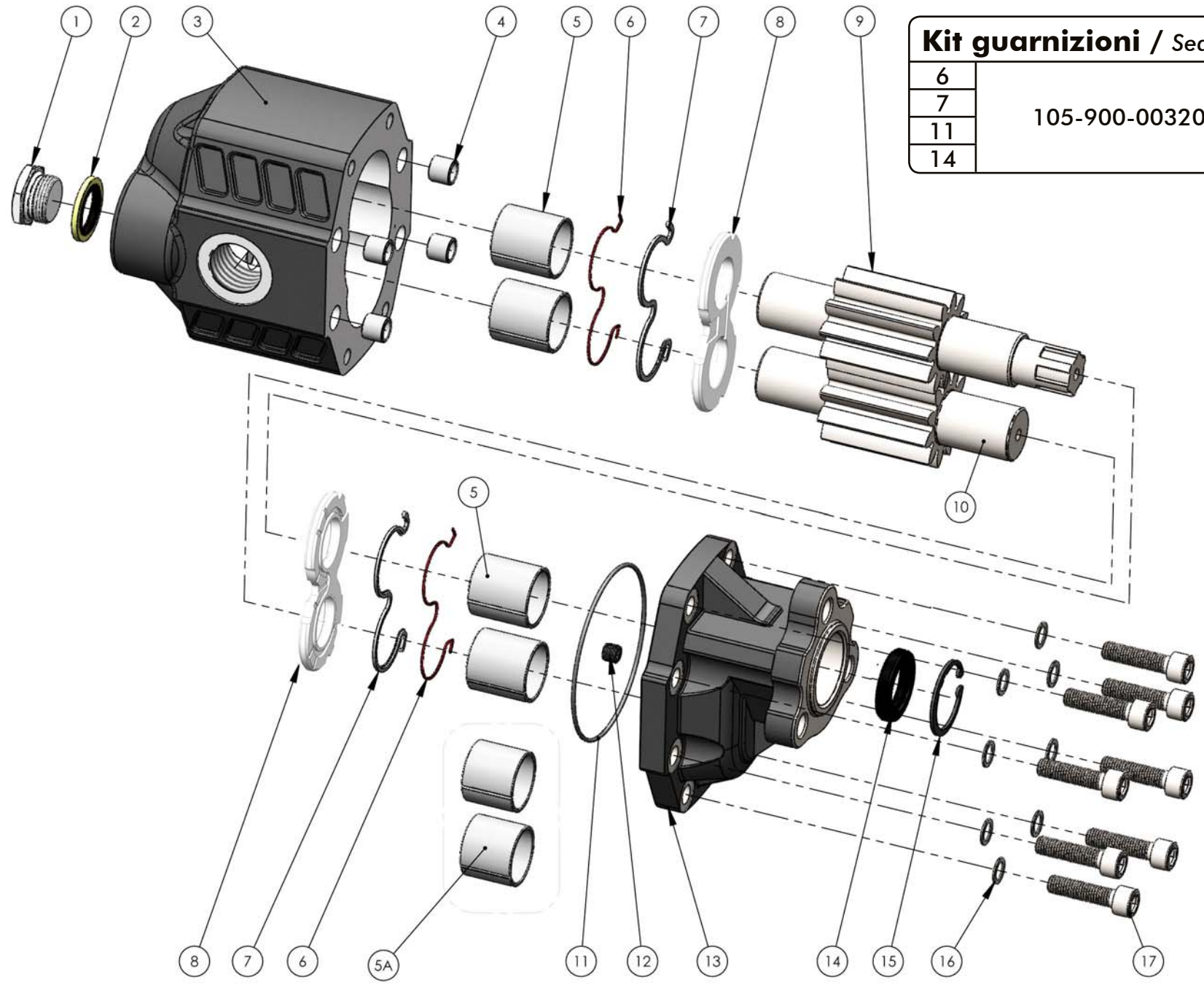
Codice foglio: 997-105-01101

| Kit guarnizioni / Seal Kit | |
|----------------------------|---------------|
| 6 | 105-900-00188 |
| 7 | |
| 11 | |
| 14 | |



| N° N° | 17 | 22 | 27 | 34 | 43 | 51 | 61 | 73 | 82 | Codice P. Number | Descrizione Description | Quantità Quantity | |
|----------|----|----|----|----|----|----|----|----|---------------|---------------------|------------------------------------|--------------------------|---|
| 1 | • | • | • | | | | | | | 540-002-00110 | Tappo Acciaio 1/2" | Steel plug 1/2" | 1 |
| | | | | • | • | • | • | • | • | 540-002-00129 | Tappo Acciaio 3/4" | Steel plug 3/4" | |
| 2 | • | • | • | | | | | | | 116-009-10129 | Rondella acciaio-gomma 1/2" | Steel-rubber washer 1/2" | 1 |
| | | | | • | • | • | • | • | • | 116-009-10343 | Rondella acciaio-gomma 3/4" | Steel-rubber washer 3/4" | |
| 3 | • | | | | | | | | | 517-010-00173 | Corpo pompa | Gear housing | 1 |
| | | • | | | | | | | | 517-010-00226 | | | |
| | | | • | | | | | | | 517-010-00271 | | | |
| | | | | • | | | | | | 517-010-00342 | | | |
| | | | | | • | | | | | 517-010-00431 | | | |
| | | | | | | • | | | | 517-010-00511 | | | |
| | | | | | | | • | | | 517-010-00619 | | | |
| | | | | | | | • | | 517-010-00717 | | | | |
| | | | | | | | | • | 517-010-00824 | | | | |
| 4 | • | • | • | • | • | • | • | • | • | 501-003-00282 | Spine forate di centraggio 14x12.5 | Pins 14x12.5 | 4 |
| 5 | • | • | • | • | • | • | • | • | • | 533-004-00033 | Boccola autolub. 28x32x30 | Bushing 28x32x30 | 4 |
| 6 | • | • | • | • | • | • | • | • | • | 506-000-01097 | Guarnizione antiestrusione | Back-up ring | 2 |
| 7 | • | • | • | • | • | • | • | • | • | 506-000-01088 | Guarnizione per rasamento | Thrust plate seal | 2 |
| 8 | • | • | • | • | • | • | • | • | • | 510-010-00293 | Rasamento ad occhiale | Thrust plate | 2 |
| 9 | • | | | | | | | | | 523-020-00178 | Albero dentato conduttore | Drive shaft | 1 |
| | | • | | | | | | | | 523-020-00221 | | | |
| | | | • | | | | | | | 523-020-00276 | | | |
| | | | | • | | | | | | 523-020-00347 | | | |
| | | | | | • | | | | | 523-020-00436 | | | |
| | | | | | | • | | | | 523-020-00516 | | | |
| | | | | | | | • | | | 523-020-00614 | | | |
| | | | | | | | • | | 523-020-00712 | | | | |
| | | | | | | | | • | 523-020-00829 | | | | |
| 10 | • | | | | | | | | | 523-021-00177 | Albero dentato condotto | Driven shaft | 1 |
| | | • | | | | | | | | 523-021-00220 | | | |
| | | | • | | | | | | | 523-021-00275 | | | |
| | | | | • | | | | | | 523-021-00346 | | | |
| | | | | | • | | | | | 523-021-00435 | | | |
| | | | | | | • | | | | 523-021-00515 | | | |
| | | | | | | | • | | | 523-021-00613 | | | |
| | | | | | | | • | | 523-021-00711 | | | | |
| | | | | | | | | • | 523-021-00828 | | | | |
| 11 | • | • | • | • | • | • | • | • | • | 506-000-01579 | Guarnizione OR (2x95) | O-ring (2x95) | 1 |
| 12 | • | • | • | • | • | • | • | • | • | 504-010-00063 | Grano conico 1/8" | Plug 1/8" | 1 |
| 13 | • | • | • | • | • | • | • | • | • | 518-003-00107 | Coperchio anteriore | Mounting cover | 1 |
| 14 | • | • | • | • | • | • | • | • | • | 506-024-25401 | Guarnizione paraolio | Oil seal | 1 |
| 15 | • | • | • | • | • | • | • | • | • | 501-001-00373 | Anello elastico | Circlip | 1 |
| 16 | • | • | • | • | • | • | • | • | • | 501-020-00101 | Rondella elastica | Washer | 8 |
| 17 | | | | | | | | | • | 502-004-00565 | Vite TCE M10x35 | Screw M10x35 | 2 |
| 18 | • | • | • | • | • | • | • | • | | 502-004-00574 | Vite TCE M10x40 | Screw M10x40 | 8 |
| | | | | | | | | • | 6 | | | | |

| Kit guarnizioni / Seal Kit | |
|----------------------------|---------------|
| 6 | 105-900-00320 |
| 7 | |
| 11 | |
| 14 | |



| N° N° | 90 | 100 | 125 | Codice P. Number | Descrizione Description | | Quantità Quantity |
|----------|----|-----|-----|---------------------|------------------------------------|--------------------------|----------------------|
| 1 | • | • | • | 540-002-00129 | Tappo Acciaio 3/4" | Steel plug 3/4" | 1 |
| 2 | • | • | • | 116-009-10343 | Rondella acciaio-gomma 3/4" | Steel-rubber washer 3/4" | 1 |
| 3 | • | | | 517-010-00904 | Corpo pompa | Gear housing | 1 |
| | | • | | 517-010-00995 | | | |
| | | | • | 517-010-01252 | | | |
| 4 | • | • | • | 501-003-00282 | Spine forate di centraggio 14x12.5 | Pins 14x12.5 | 4 |
| 5 | • | | | 533-004-00060 | Boccola autolub. 30x34x35 | Bushing 30x34x35 | 2 |
| | | • | • | | | | 4 |
| 5a | • | | | 533-004-00355 | Boccola autolub. 30x34x30 | Bushing 30x34x30 | 2 |
| 6 | • | • | • | 506-000-01284 | Guarnizione antiestrusione | Back-up ring | 2 |
| 7 | • | • | • | 506-000-01275 | Guarnizione per rasamento | Thrust plate seal | 2 |
| 8 | • | • | • | 510-010-00346 | Rasamento ad occhiale | Thrust plate | 2 |
| 9 | • | | | 523-023-00906 | Albero dentato conduttore | Drive shaft | 1 |
| | | • | | 523-023-01003 | | | |
| | | | • | 523-023-01254 | | | |
| 10 | • | | | 523-023-00915 | Albero dentato condotto | Driven shaft | 1 |
| | | • | | 523-023-01012 | | | |
| | | | • | 523-023-01263 | | | |
| 11 | • | • | • | 506-000-01579 | Guarnizione OR (2x95) | O-ring (2x95) | 1 |
| 12 | • | • | • | 504-010-00063 | Grano conico 1/8" | Plug 1/8" | 1 |
| 13 | • | | | 518-003-00518 | Coperchio anteriore | Mounting cover | 1 |
| | | • | • | 518-003-00134 | | | |
| 14 | • | • | • | 506-024-25401 | Guarnizione paraolio | Oil seal | 1 |
| 15 | • | • | • | 501-001-00373 | Anello elastico | Circlip | 1 |
| 16 | • | • | • | 501-020-00101 | Rondella elastica | Washer | 8 |
| 17 | • | • | • | 502-004-00574 | Vite TCE M10x40 | Screw M10x40 | 8 |

CARATTERISTICHE TECNICHE DI FUNZIONAMENTO / TECHNICAL FEATURES

| Tipo pompa Pump type | Cilindrata Displacement cm ³ /rev | Pressione Pressure | | | Velocità max. continua Max. continuous speed rpm | Velocità max. intermittente Max. intermittent speed rpm | Velocità min. Min. speed rpm |
|-------------------------|--|-----------------------|-----------|-----------|--|---|---------------------------------------|
| | | P1 bar | P2 bar | P3 bar | | | |
| NPH-17 | 17.04 | 290 | 315 | 325 | 2500 | 3000 | 300 |
| NPH-22 | 22.15 | | | | | | |
| NPH-27 | 26.18 | | | | | | |
| NPH-34 | 33.88 | 280 | 300 | 310 | 2200 | 2800 | |
| NPH-43 | 43.12 | 270 | 290 | 300 | 2000 | 2500 | |
| NPH-51 | 50.82 | 240 | 260 | 280 | | | |
| NPH-61 | 60.06 | 220 | 240 | 250 | 1800 | 2000 | |
| NPH-73 | 72.88 | 200 | 220 | 230 | 1500 | 1800 | |
| NPH-82 | 81.08 | 190 | 210 | 220 | | | |
| NPH-90 | 90.43 | 180 | 200 | 220 | | | |
| NPH-100 | 98.18 | 180 | 200 | 220 | | | |
| NPH-125 | 122.72 | 160 | 180 | 200 | | | |

P1=Pressione max.continua

Max. continuous pressure

(100%)

P2=Pressione max. intermittente

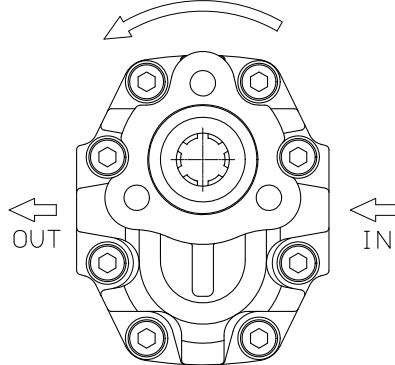
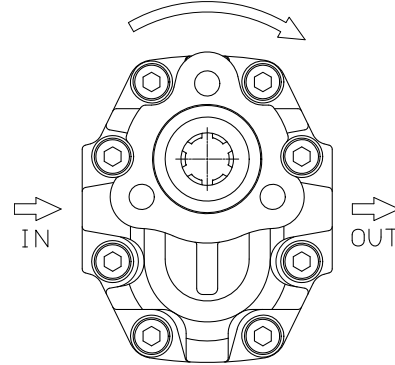
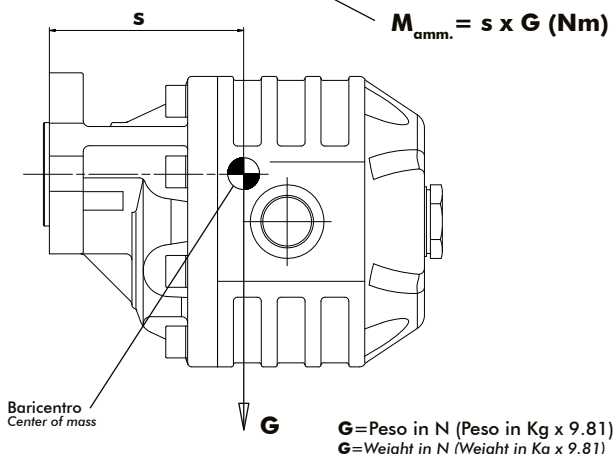
Max. Intermittent pressure

(20 sec.max.)

P3=Pressione max. di punta

Max. peak pressure

(6 sec.max)

SENSO DI ROTAZIONE POMPA - DIRECTION OF ROTATION:**Rotazione antioraria, pompa sinistra**
Anti-clockwise rotation, left pumpVista FRONTALE
FRONT**Rotazione oraria, pompa destra**
Clockwise rotation, right pumpVista FRONTALE
FRONT**MOMENTO PESO / MASS MOMENT**

| Tipo pompa - Pump type | S |
|------------------------|-----|
| NPH-17 | 93 |
| NPH-22 | 94 |
| NPH-27 | 96 |
| NPH-34 | 99 |
| NPH-43 | 101 |
| NPH-51 | 103 |
| NPH-61 | 106 |
| NPH-73 | 110 |
| NPH-82 | 113 |
| NPH-90 | 120 |
| NPH-100 | 122 |
| NPH-125 | 130 |

PER MODIFICARE IL SENSO DI ROTAZIONE VEDERE ISTRUZ. 997-2-42
TO CHANGE THE DIRECTION OF ROTATION SEE INSTRUCTION 997-2-42